



TLI-7575

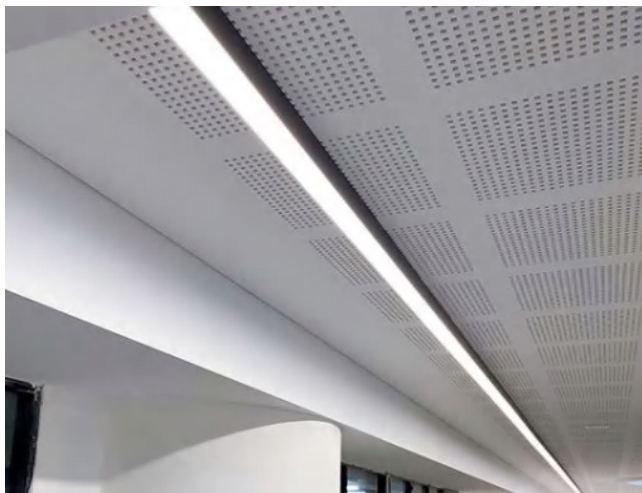
LINEAR LINKABLE LED

TECHNICAL

Materials of Optics	-
Materials of Housing	Aluminium
Light Source	SMD
Color Temperature	3000k/4000k/6000k
Luminous Efficiency@4000K	90-110Lm/W
CRI	>85
Beam Angle(°)	110 °
UGR	-
Lifetime(hr)	40,000h
Product Finishing	White/Black

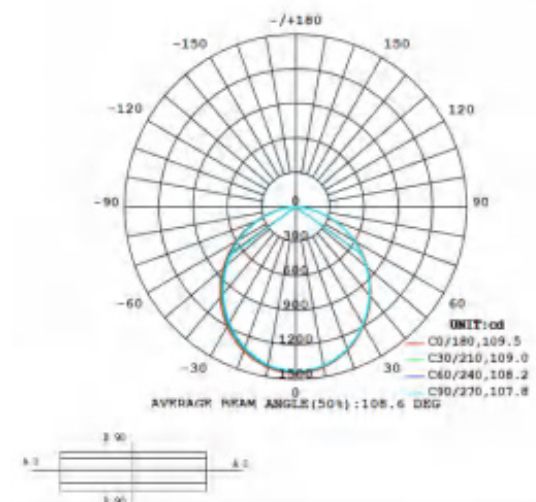
FEATURES & BENEFITS

CCT Selection DIP Switch	3CCT
LED Driver	Built-in
Dimming Option	DALI/ 0-10V
Ingress Protection (IP Rating)	IP 20
Power Factor (PF)	≥0.9
Certification	SAA/RoHS/CE/CB

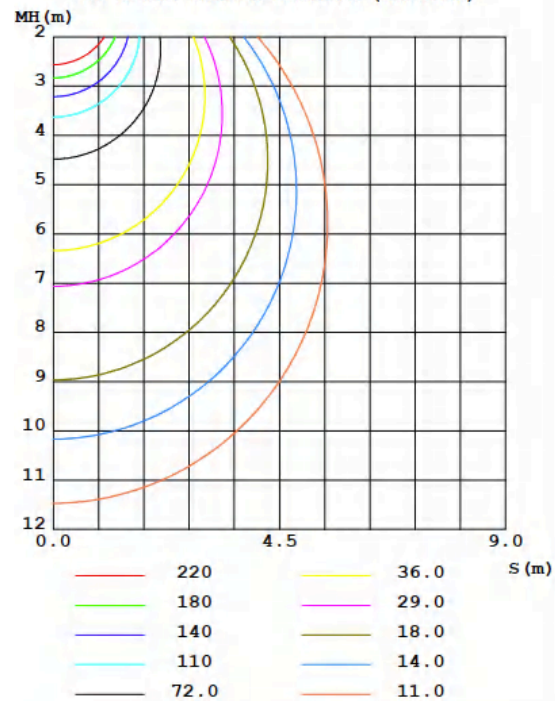


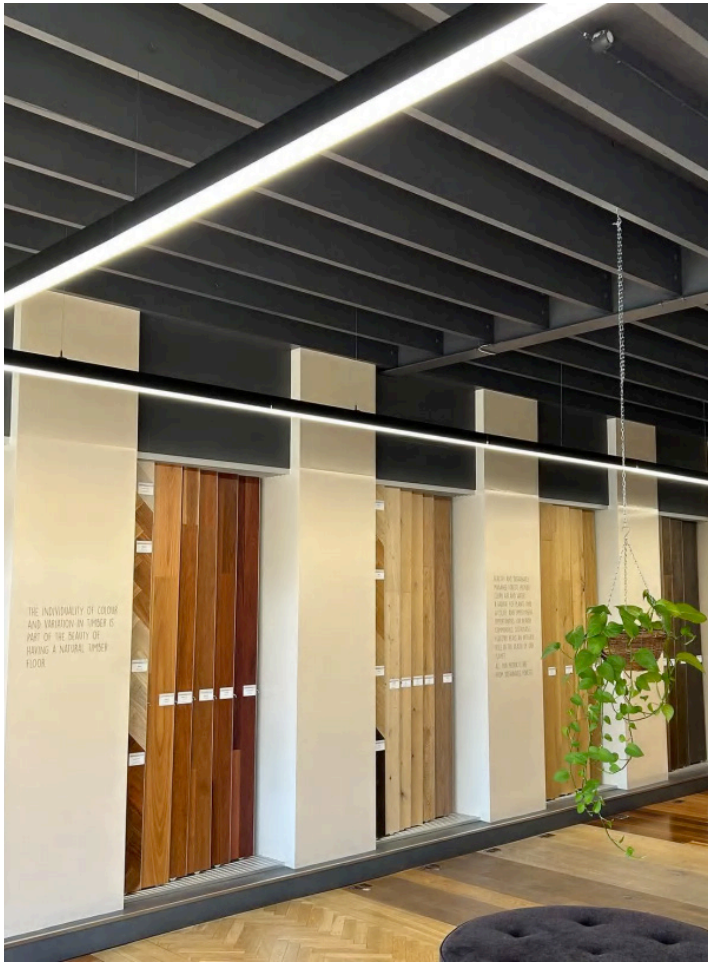
OPTICS

LUMINOUS INTENSITY DISTRIBUTION DIAGRAM



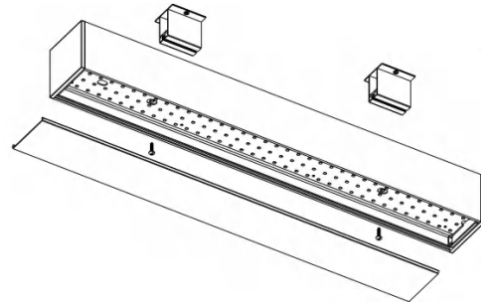
C0 PLANE ISOLUX DIAGRAM (UNIT:lx)





INSTALLATION & ACCESSORIES

**SURFACE MOUNTED
SUSPENDED**



W75 X H75cm

L60cm

L120cm

L180cm

L240cm

